

Product Technical Information

ITA 143
Rev.4 – 22/02/17
Page 1/4

NEODYL N

Product Description and uses

Neodyl N is an SBS elastomeric expansion joint membrane.

It is used in conjunction with **Cordon Neodyl** for the waterproofing of structural expansion joint on buildings works.

It ensures the waterproofing continuity between different parts of a building structures as well on vertical than on horizontal.

This product is designed for new works and refurbishment works on approved substrates.

Product Approvals:

Neodyl N is approved by CSTB (Neodyl Document Technique d'Application) for use in Siplast insulated and non-insulated concrete, wooden or steel roof deck constructions and insulated a as a fully bonded system applied onto an SBS base approved layer.

Composition

Top surfacing: polypropylene non-wooven
Bitumen compound: SBS (Styrene-Butadiene-Styrene) elastomeric bitumen
Reinforcement: N/A
Back surfacing: polypropylene non-wooven
N/A: Not applicable

Dimensions

Value	Nominal
Thickness (mm)	5.0
Weight / m ² (kg/m ²)	5.9



Packaging

Roll (m)	0,33x10	0,50x10	0,66x10	1x10
Unit weight (kg)	20	30	39.5	59.5
Number rolls / cardboard box	1	1	1	N/A
Box number / truck pallet	36	24	20	N/A
Box number / container pallet	36	24	20	(2)
N/A: Not applicable				

- (1) All rolls are packed in a specific cardboard packaging except the rolls 10 m x 1m which are wrapped in a paper packaging and laid horizontally in wooden boxes.
- (2) Wooden boxes with 16rolls/boxes put as base layer in the container and wooden boxes with 12 rolls/boxes container as top layer.

ISO 9001 REFERENCE DOCUMENT

Our company has been awarded the ISO 9001 certificate for all its establishments in France.

Our company reserves the right to modify its composition as a result of technological and experimental improvements.

To obtain the up-date technical data sheet, please contact Siplast



Product Technical Information

ITA 143

Rev.4 – 22/02/17

Page 2/4

 **odyl N**
Physical and Mechanical Properties

Property (as Manufactured)	Test Method	Units	Nominal values
Elasticity	UEAtc	%	> 100
Elongation at 20°C	UEAtc	%	> 1000
Thermal stability at 80°C	UEAtc	mm/m	1 < (MD)
Cold temperature flexibility	EN 1109	°C	≤ - 20
Heating resistance	EN 1110	mm	2 (90°C/2h)

Product Technical Information

ITA 143

Rev.4 – 22/02/17

Page 3/4

Other informations

Values	Where 2 values for given characteristics are shown, the first is for longitudinal direction and the second is for the cross direction.
Tolerances	The average values derived from standard tests and are subject to the usual production variations. Some slight variations can be noticed as the values are based on the average values obtained from several plants.
Modification(s)	Our company reserves the right to modify its composition as a result of technologic and experiments improvements. This product data sheet supersedes the previous edition, to obtain the up-date technical data sheet, please contact our technical department.
Hazardous classification	It is not classified as dangerous according to the international regulation (ADR, RID, IATA, et RTMDR)
Divers	This product is only a product technical data sheet, regarding each waterproofing design, please, consult the concerned technical agreement and in case of doubt contact our technical department.
Storage	This product is packaged in rolls set up vertically on pallet or wooden box. It must be stored vertically under shelter, away from heat sources.

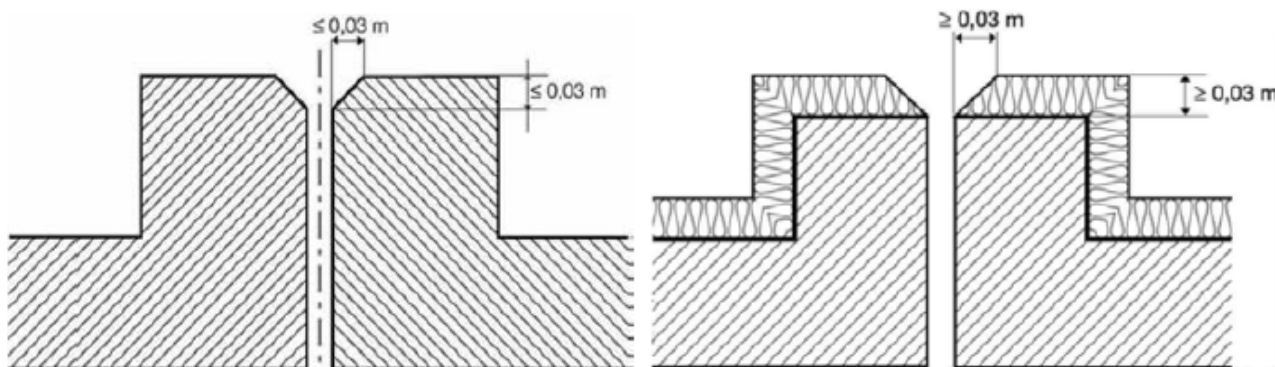
Generalities

Use	Expansion joints on building works
Application	Neodyl is always applied fully torched on a SBS bituminous membrane base layer 2.5 mm minimum thickness. To maintain the correct position of the joint the Siplast butyl rod CORDONE NEODYL is applied over the Neodyl membrane. Neodyl is never left exposed to direct sun light.
Method of installation	See Neodyl Installation Manual

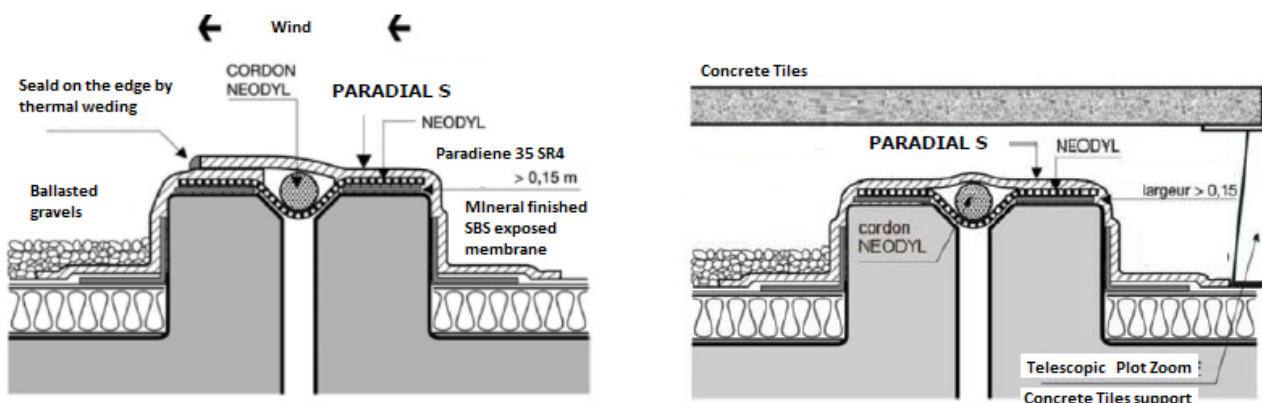
Product Technical Information

ITA 143
Rev.4 – 22/02/17
Page 4/4

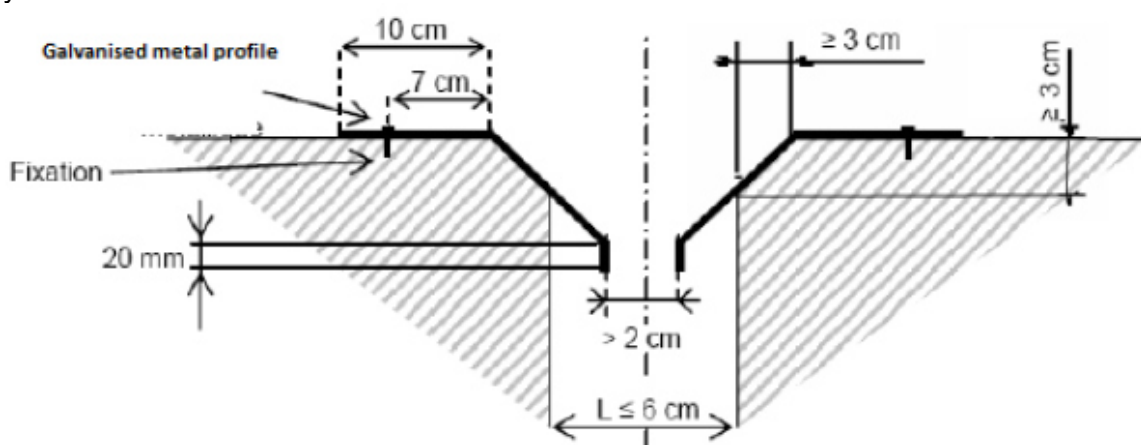
Neodyl N – Typical Design



Concrete substrate with or without insulation along the structural building joint.



Neodyl installation



Standard opening joint is ≤ 3 cm . In case of wider joint opening (maximum up to 6 cm) the opening itself is reduced at 2cm by installing a metallic steel galvanized profile minimum 10/10 mm thick.